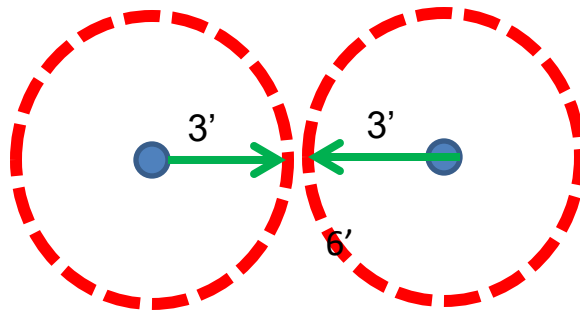


Social Distancing at Mass

- CDC Guideline: 6 feet of separation between any two persons

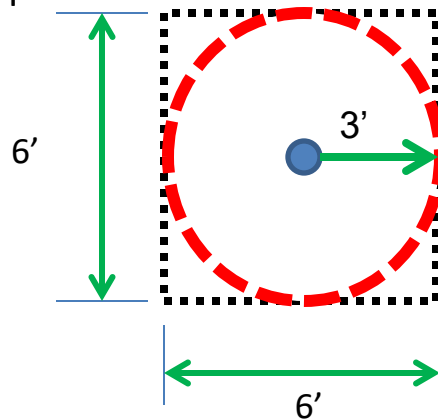
- Illustration:

- ● = person



- Estimate Social Distancing Area per person as:

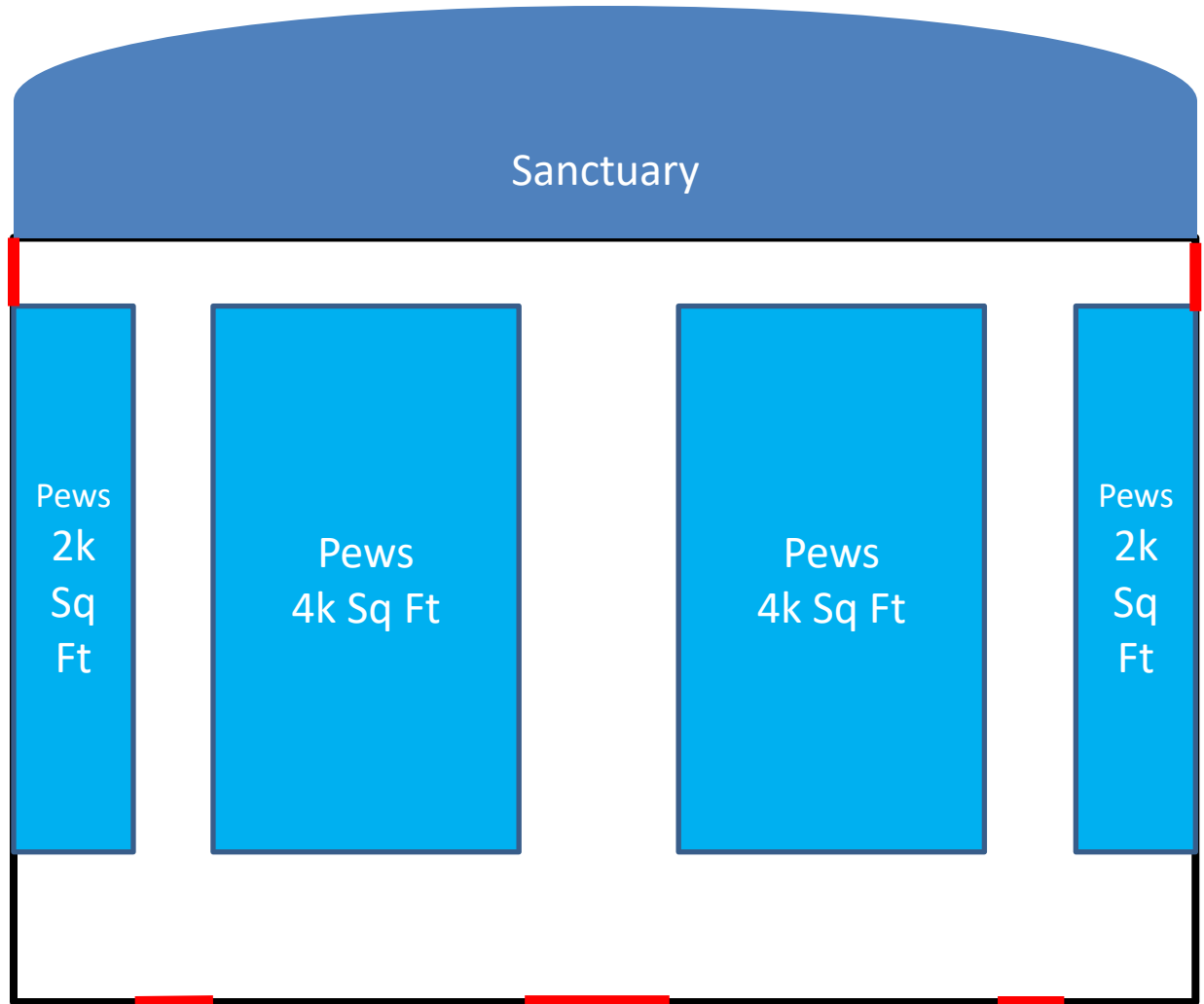
- $6' \times 6' = 36 \text{ sq ft}$



Social Distancing at Mass

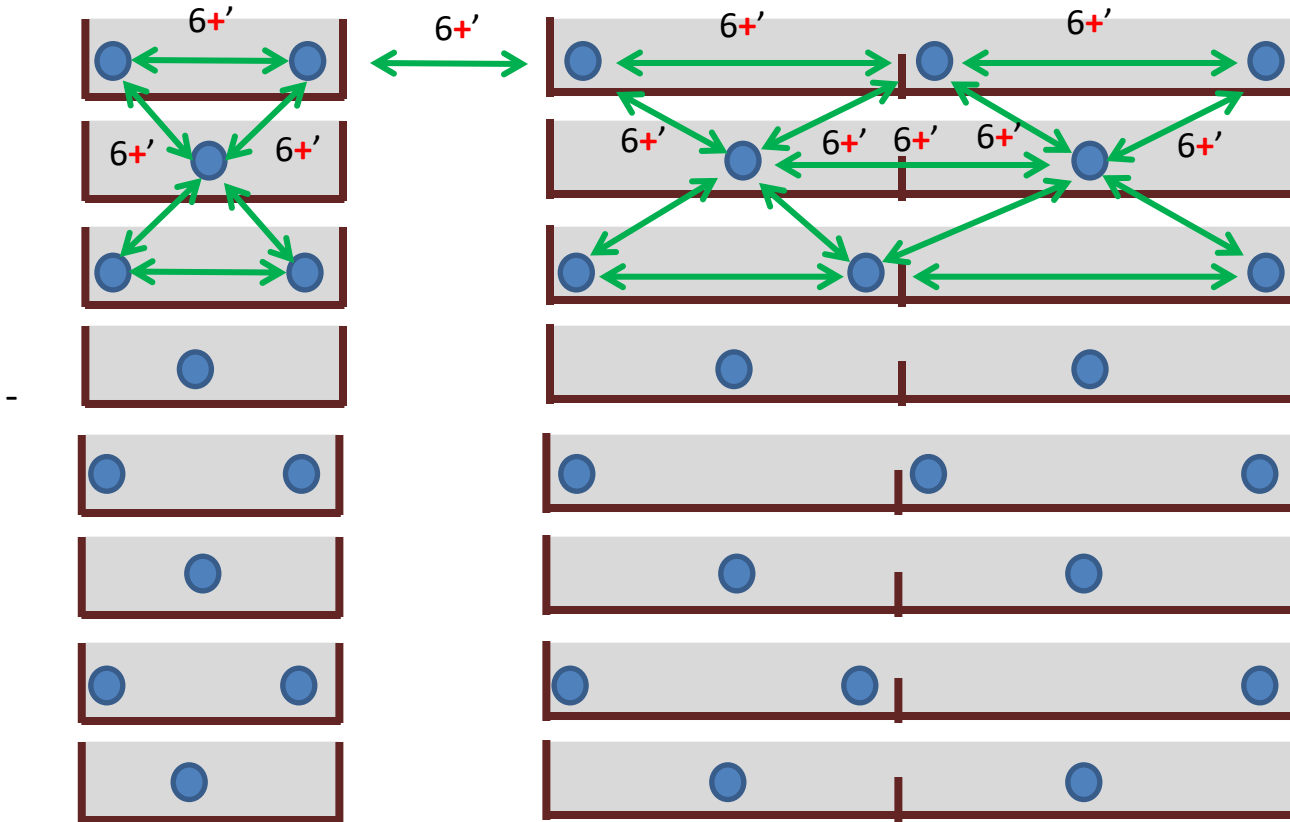
(example – measurements do **NOT** reflect any bldg)

- Bldg Total Area
 - 20k Sq Ft
- Pew Total Area
 - 12k Sq Ft
- Apply Formula
 - 36 Sq Ft / Person
 - Bldg Occupancy
 - $20k / 36 =$
 - 555 Persons
 - Pew Only Occupancy
 - $12k / 36 =$
 - 333 Persons



Social Distancing at Mass

- How this translates into a side and center pew at St Patrick Cathedral:
 - 6+' between any two persons



Social Distancing at Mass

(St Patrick Cathedral can Safely Seat **165** Persons)

Sanctuary

9 Pews
Total
of **14**
persons

10 Pews
Total of
25 Persons

10 Pews
Total of
25 Persons

10 Pews
Total
Of **15**
Persons

12 Pews
Total of
18
Persons

12 Pews
Total of
30 Persons

12 Pews
Total of
30 Persons

12 Pews
Total
Of **18**
Persons